

ACCESSORIES

COMPATIBILITY MATRIX OF PROXIMITY SWITCHES FOR AUTOMATION COMPONENTS

Inductive proximity switches, sensing distance 2 mm, flush-mountable, with LED

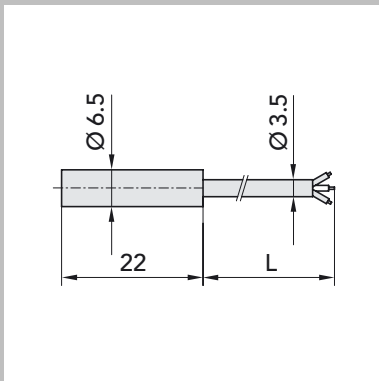
Component	1	2	3	4	5	6
LEP-1	OK	OK	-	-	-	-
LEP-2	OK	OK	-	-	-	-
DAP(I)-1	OK	OK	OK	-	-	-
DZA-1	OK	OK	OK	-	-	-
DAP(I)-2	b	b	OK	-	-	-
DZA-2	OK	OK	OK	-	-	-
DAP-3	-	-		OK	-	-
DZA-3	OK	OK	OK	-	-	-
DT Pushbutton	OK	OK	-	-	-	-
KUS-16-...-SD	OK	OK	a	-	-	-
KUS-20-...-SD	OK	OK	a	-	-	-
KUS-25-...-SD	OK	OK	a	-	-	-
VS-30	OK	OK	-	-	-	-
VS-60	OK	OK	-	-	-	-
PS	OK	OK	OK	-	-	-
HE	OK	OK	OK	-	-	-
SHA-340	OK	OK	-	-	-	-
SHX-340	OK	OK	-	-	-	-
SHA-470	OK	OK	-	-	-	-
SVA-130	-	-	OK	-	-	-
HE	-	-	-	-	-	OK

Gripper	1	2	3	4	5	6
GPP(I)-1(-ISO)	OK	OK	OK	-	-	-
GPP(I)-2(-ISO)	OK	OK	OK	-	-	-
GPP(I)-3(-ISO)	OK	OK	OK	-	-	-
GPU(I)-10	OK	OK	OK	-	-	-
GPU(I)-14	OK	OK	OK	-	-	-
GPU(I)-20	OK	OK	OK	-	-	-
GPU(I)-25	OK	OK	OK	-	-	-
GPL-30-1	c	c	OK	-	-	-
GPL-40-1	d	d	OK	-	-	-
GPL-45-2	e	e	OK	-	-	-
GPL-60-2	f	f	OK	-	-	-
GPL-75-2	g	g	OK	-	-	-
GPPM-1X	-	-	-	-	OK	-
GPPM-1Y	-	-	-	-	OK	-
GPPMI-1	-	-	-	-	-	-
GPPMI-1X	-	-	-	-	OK	-
GPPMI-1Y	-	-	-	-	OK	-
GPPM-2X	-	-	-	-	OK	-
GPPM-2Y	-	-	-	-	OK	-
GPPMI-2	-	-	-	-	-	-
GPPMI-2X	-	-	-	-	OK	-
GPPMI-2Y	-	-	-	-	OK	-
GWU(I)-16	OK	OK	OK	-	-	-
GWU(I)-20	OK	OK	OK	-	-	-

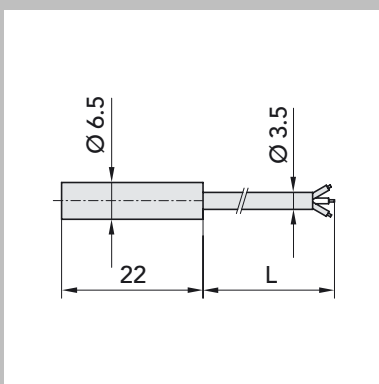
No.	Ref. No.	Description
1	508842	Ø 6.5x22 PNP with cable L=2000 mm
2	508850	Ø 6.5x22 NPN with cable L=2000 mm
3	508843	Ø 6.5x40 PNP with plug
4	508844	M8x1x45 PNP with plug
5*	508846	Ø 3x22 PNP with cable L=2000 mm
6	508847	8x8x59 PNP with plug

a	only cable with angled plug
b	min. angle of rotation 15°
c	gripping distance 8–30 mm
d	gripping distance 18–40 mm
e	gripping distance 17–45 mm
f	gripping distance 32–60 mm
g	gripping distance 47–75 mm

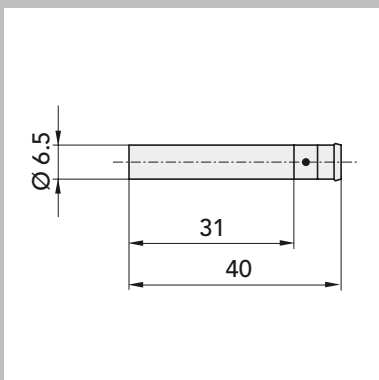
5* sensing distance 0.6 mm

**INDUCTIVE PROXIMITY SWITCHES****Ref. No.**

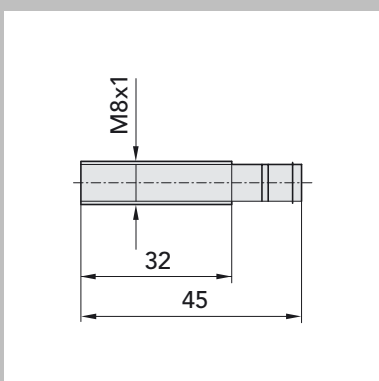
Ø 6.5 mm PNP, short-circuit and reverse polarity protected,
sensing distance 2 mm, flush-mountable with LED¹⁾
L = 2000 mm

508842

Ø 6.5 mm NPN, short-circuit and reverse polarity protected,
sensing distance 2 mm, flush-mountable, with LED¹⁾
L = 2000 mm

508850

Ø 6.5 mm PNP, pluggable, short-circuit and reverse polarity
protected, sensing distance 2 mm, flush-mountable,
with ring LED

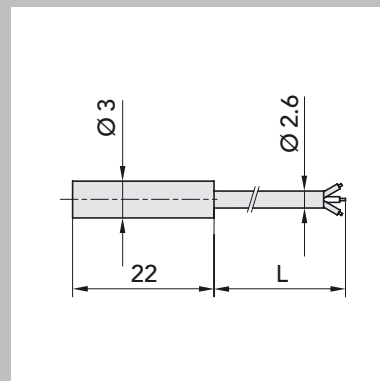
508843

M8 x 1, PNP, pluggable, short-circuit and reverse polarity
protected, sensing distance 2 mm, with LED

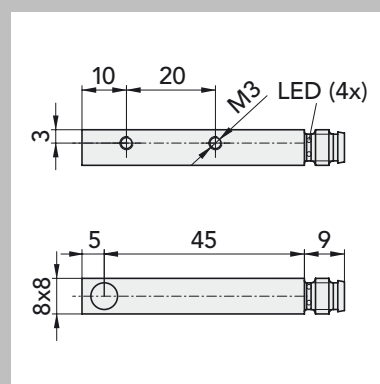
508844

INDUCTIVE PROXIMITY SWITCHES

Ø 3 mm PNP, short-circuit and reverse polarity protected,
sensing distance 0.6 mm, flush-mountable with LED¹⁾
L = 2000 mm

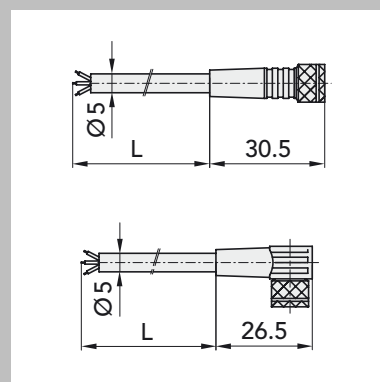
Ref. No.**508846**

8x8 mm PNP, pluggable, short-circuit and reverse polarity
protected, sensing distance 2 mm, flush-mountable,
with ring LED
L = 2000 mm

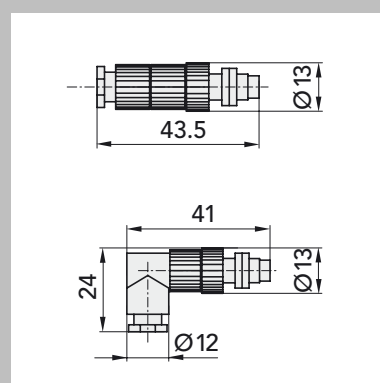
508847**CONNECTION CABLE**

for proximity switch 3-pin, highly flexible, pluggable²⁾

- 1 m, with socket straight on one side
- 1 m, with one-side angled socket
- 5 m, with socket straight on one side
- 5 m, with one-side angled socket
- 10 m, with socket straight on one side
- 10 m, with one-side angled socket

506487**506488****504610****504929****507528****507529****CONNECTOR TO CONNECTION CABLE**

can be assembled without special tools, 3-pin,
screwable M8 x 1
straight
angled

506403**506404**

1) limited use for dynamic load, e. g. for use in cable chains.
2) specifically for dynamic load, e. g. for use in cable chains.



PNEUMATICS CONNECTIONS

- 1 Threaded outgoing air-throttle M5, with angled swivel connection, pluggable, Ø 4 mm
- 2 Threaded outgoing air-throttle M5, angled, pluggable, Ø 4 mm
- 3 Threaded outgoing air-throttle M5, angled, pluggable, Ø 6 mm
- 4 Threaded outgoing air-throttle 1/8", angled, pluggable, Ø 6 mm

Ref. No.

505014

505023

505024

505016



- 5 Connector, straight, pluggable, Ø 4 mm
- 6 Connector, straight, pluggable, Ø 6 mm

505193

505197



- 7 Screw-connector M5, straight, pluggable, Ø 4 mm
- 8 Screw-connector M5, straight, pluggable, Ø 6 mm
- 9 Screw-connector 1/8", straight, pluggable, Ø 6 mm

504928

505943

506323



- 10 Angled screw connector M5, pluggable, Ø 4 mm
- 11 Angled screw connector 1/8", pluggable, Ø 6 mm

506319

503659

PNEUMATICS CONNECTIONS

- 12 Threaded outgoing air-throttle M3,
angled, pluggable, Ø 3 mm
13 Angled screw connector M3, pluggable, Ø 3 mm
14 Screw-connector M3, straight, pluggable, Ø 3 mm

Ref. No.

507518
507517
507516

**PNEUMATIC HOSE**

- black, Ø 4 x 2.7, per mm
black, Ø 6 x 4, per mm

504983
504745

**SERVICE ACCESSORIES****RUSH-TYPE HAND GUN**

for easy relubrication of LEPs, SHAs and SVAs
via lubricating nipples.

504720

OIL CONTAINER (filled), 100 ml

filled with oil Klüber Paraliq P460, suitable for all
Montech automation components

504721



**STOP VALVE**

Pilot-controlled double check valve made of aluminum and black anodised, to maintain the actual state of a connected consumer in the case of pressure loss caused by an emergency stop or a fractured pipe

Ref. No.**46582****RETAINER FOR STOP VALVE****46914****COVER**

for covering the hose connection in the linear unit LEP if an energy conducting chain is used.
horizontal
vertical

504784**504780****PROTECTIVE HOSE PG-29 (per mm)**

suitable for example for all linear units LEP, servo-horizontal axes SHA-340 and SHE/SVE-130

503693**PROTECTIVE HOSE PG-36 (per mm)**

suitable for example for servo horizontal axes SHA-470

504645